

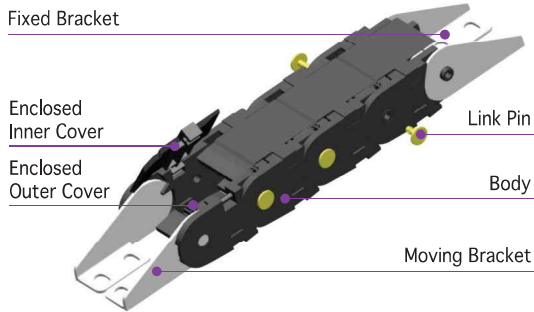
CDM050

ENCLOSED TYPE

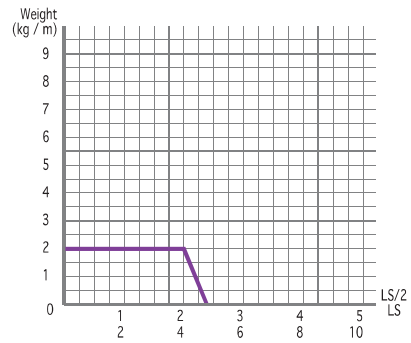
- Material : Engineering Plastic with Glass Fiber + α
- Speed : 3 m/sec
- Temperature : -25 ~ 125°C



Structure

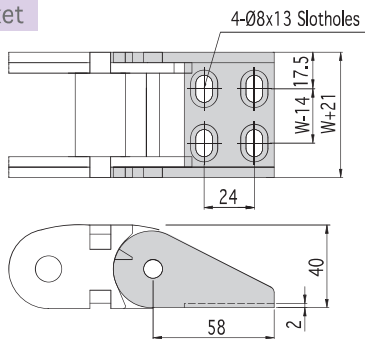


Load Diagrams Self-Supporting Length

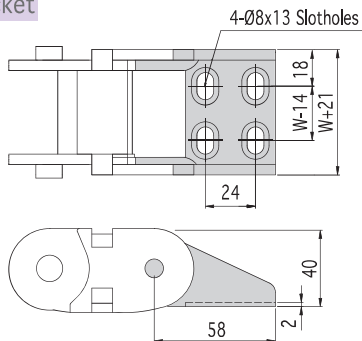


End Bracket(Plastic) : W40만 가능(Only for W40)

Fixed Bracket

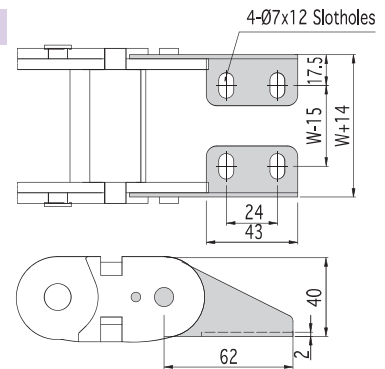


Moving Bracket

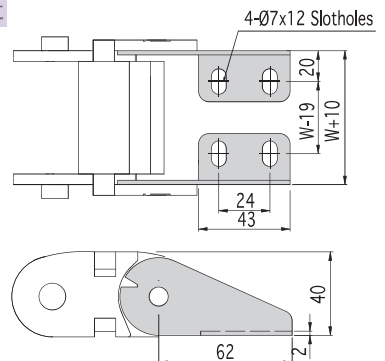


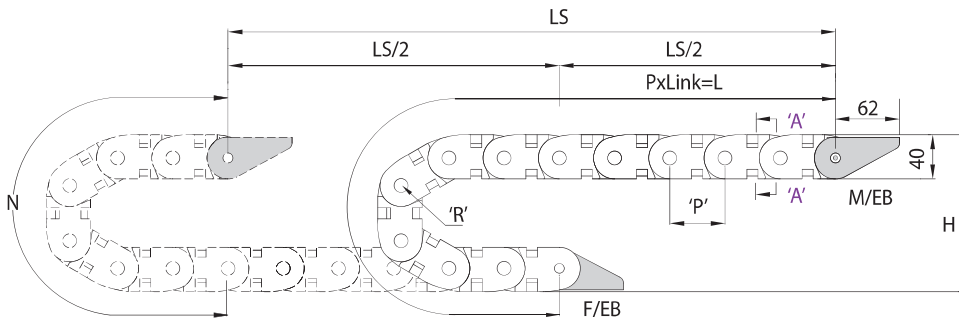
End Bracket(Steel)

Fixed Bracket



Moving Bracket

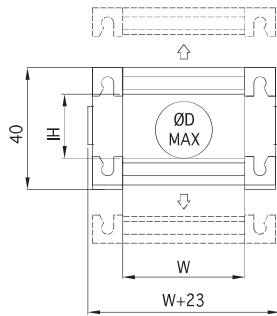




$$\left[L = \frac{LS}{2} + N \right]$$

LS: Total Machine Travel, L: Length, N: Safety Length+πr,
 H: Height, P: Pitch, M/EB: Moving End Bracket, F/EB: Fixed End Bracket

Section A-A



Specification

TYPE	W mm(inch)	Radius mm(inch)	Pitch mm(inch)	IH mm(inch)	ØD MAX	Height mm(inch)	N mm(inch)	1M (kg)	EB Set (kg)
CDM050	40 (1.575)	75 (2.953)	50 (1.969)	21 (0.827)	Ø17	192 (7.559)	436 (17.165)	1.700	0.180
		100 (3.937)		21 (0.827)		242 (9.528)	514 (20.236)		
	70 (2.756)	125 (4.921)	21 (0.827)	292 (11.496)		593 (23.346)	2.200		
		150 (5.906)	21 (0.827)	342 (13.465)		671 (26.417)			

* 1inch = 25.4mm