

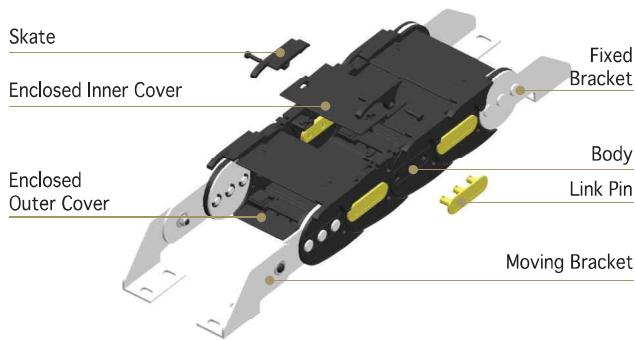
CDMS100

LONG DISTANCE PLASTIC COVER TYPE

- Material : Engineering Plastic with Glass Fiber + α
- Speed : 5 m/sec
- Temperature : -25 ~ 125°C

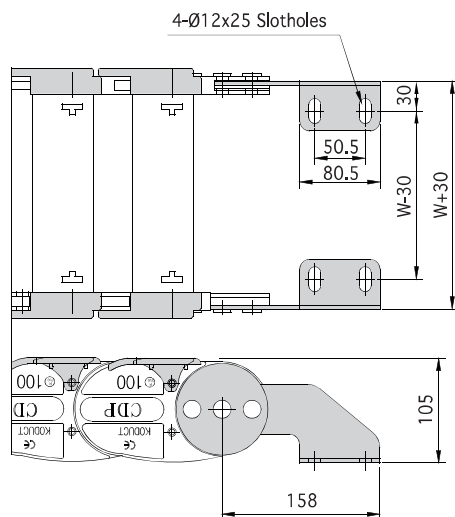


Structure

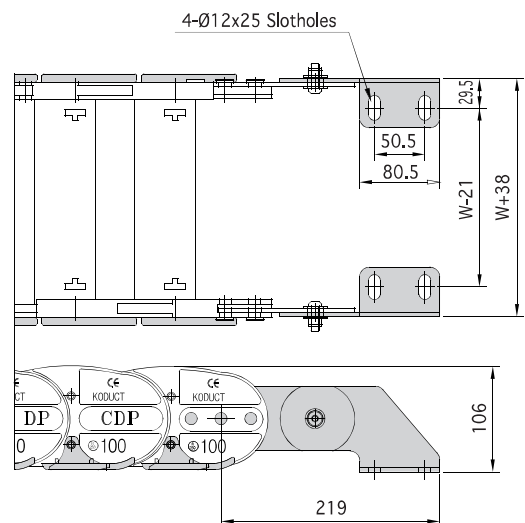


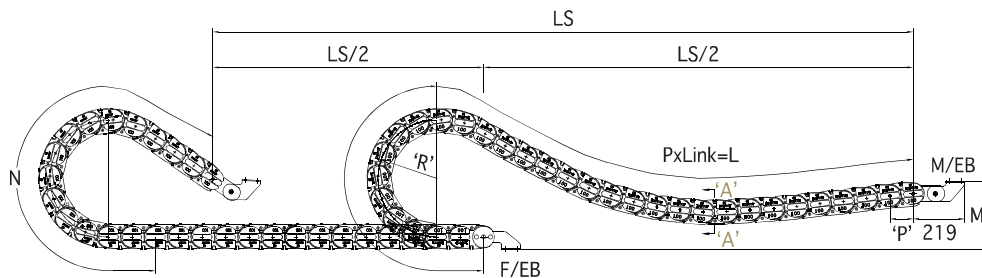
End Bracket

Fixed Bracket



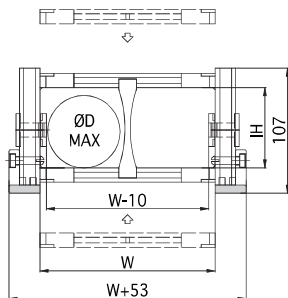
Moving Bracket





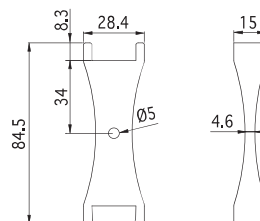
$$\left[L = \frac{LS}{2} + N \right]$$
 LS: Total Machine Travel, L: Length, N: Safety Length+ πr , M: Moving Bracket Height, P: Pitch, M/EB: Moving End Bracket, F/EB: Fixed End Bracket

Section A-A



Divider

* Separator: Ø5(Aluminum)



Specification

TYPE	W mm(inch)	Radius mm(inch)	Pitch mm(inch)	IH mm(inch)	ØD MAX	M mm(inch)	N mm(inch)	DVDR (ea)	1M (kg)	EB Set (kg)
CDMS100	150 (5.906)	200 (7.874)	100 (3.937)	63 (2.480)	Ø33	300 (11.811)	1,200 (47.244)	2	5.807	3.633
		250 (9.843)		66 (2.598)	Ø42		1,400 (55.118)			
	200 (7.874)	300 (11.811)		68 (2.677)	Ø50		1,500 (59.055)			
		350 (13.780)		68 (2.677)	Ø58		2,100 (82.677)			
	300 (11.811)	400 (15.748)		68 (2.677)	Ø64		2,500 (98.425)			
		500 (19.685)		68 (2.677)			3,500 (137.795)			

* 1inch = 25.4mm