

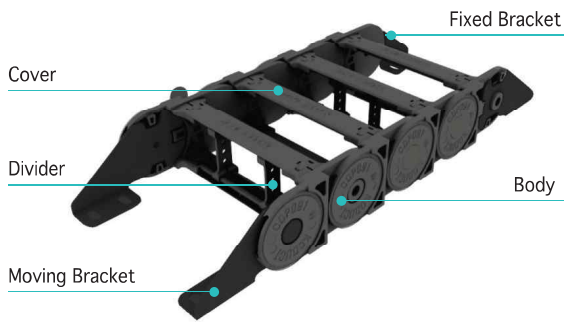
# CDP091

PLASTIC COVER TYPE

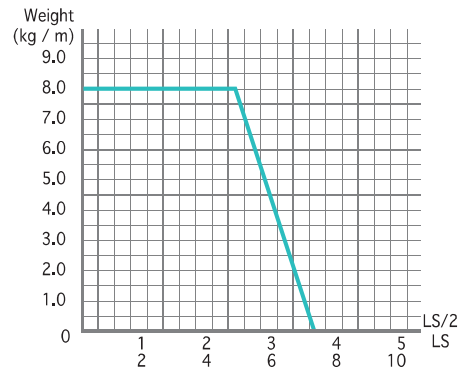
- Material : Engineering Plastic with Glass Fiber +  $\alpha$
- Speed : 5 m/sec
- Temperature : -25 ~ 125°C



## Structure

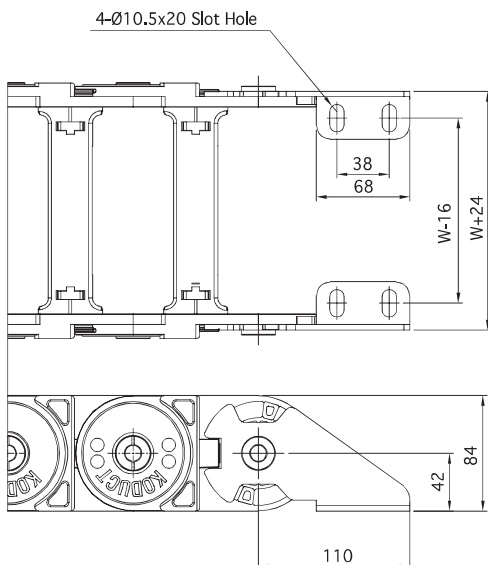


## Load Diagrams Self-Supporting Length

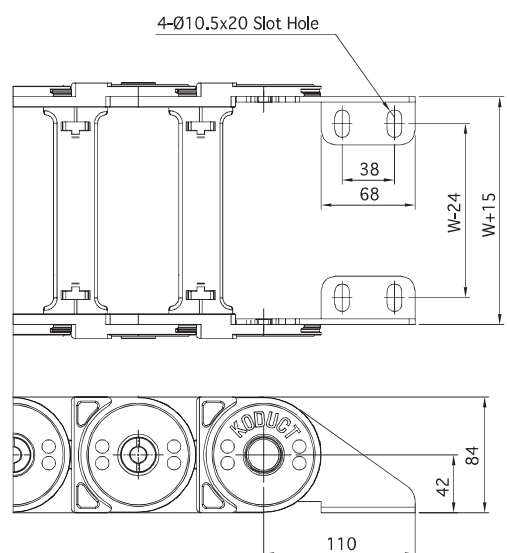


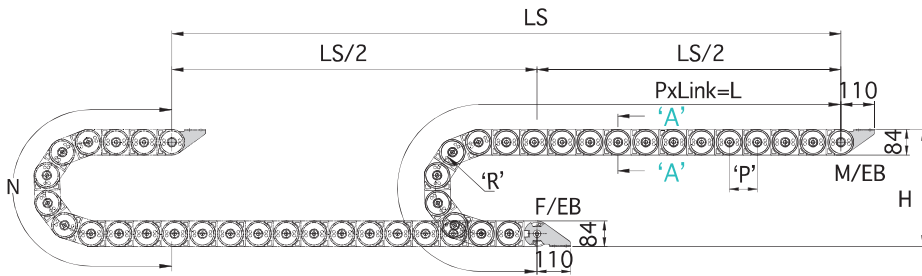
## End Bracket

### Fixed Bracket



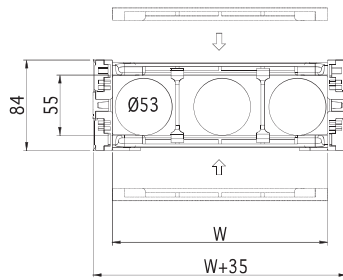
### Moving Bracket



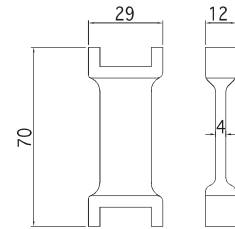


$$\left[ L = \frac{LS}{2} + N \right] \begin{array}{l} LS: \text{Total Machine Travel, L: Length N: Safety Length} + \pi r, \\ H: \text{Height, P: Pitch, M/EB: Moving End Bracket, F/EB: Fixed End Bracket} \end{array}$$

Section A-A



Divider



Specification

TYPE	W mm(inch)	Radius mm(inch)	Pitch mm	Height mm(inch)	N mm(inch)	DVDR (ea)	1M (kg)	EB Set (kg)
CDP091	100 (3.937)	150 (5.906)	91(3.583)	384 (15.118)	835 (32.874)	1	2.941	1.080
	150 (5.906)							
	200 (7.874)	584 (22.992)		1,149 (45.236)	3	3.483		
	250 (9.843)						684 (26.929)	
	300 (11.811)	300 (11.811)		4	4.114			
	350 (13.780)					4	4.216	
	400 (15.748)	4		4.568				

\* 1inch = 25.4mm