

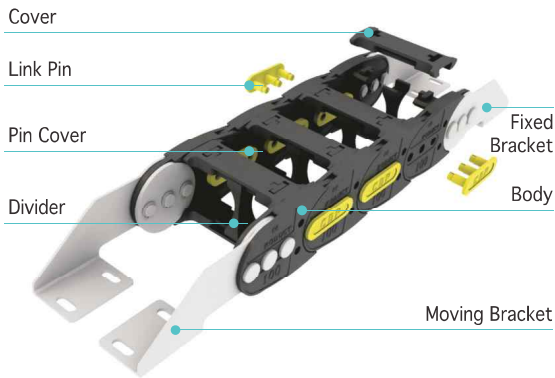
CDP100

PLASTIC COVER TYPE

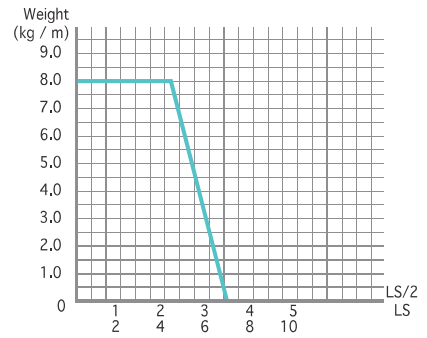
- Material : Engineering Plastic with Glass Fiber + α
- Speed : 5 m/sec
- Temperature : -25 ~ 125°C



Structure

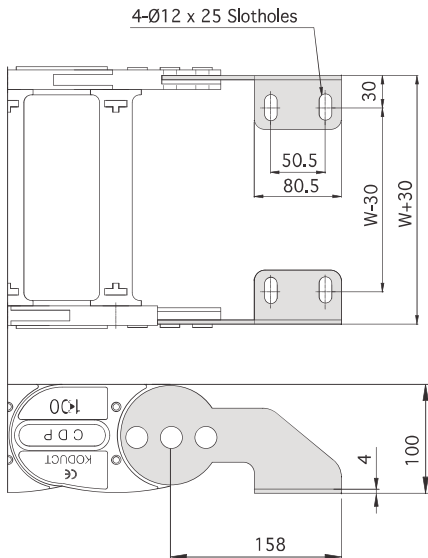


Load Diagrams Self-Supporting Length

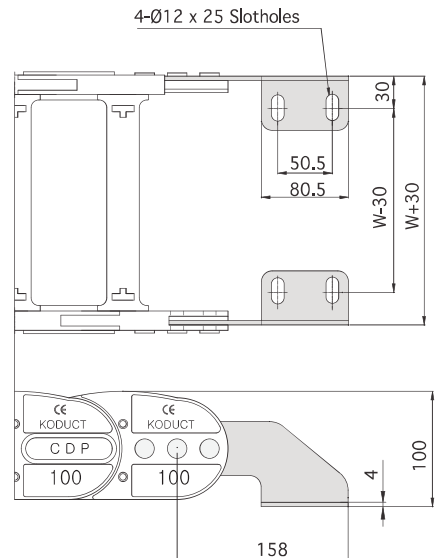


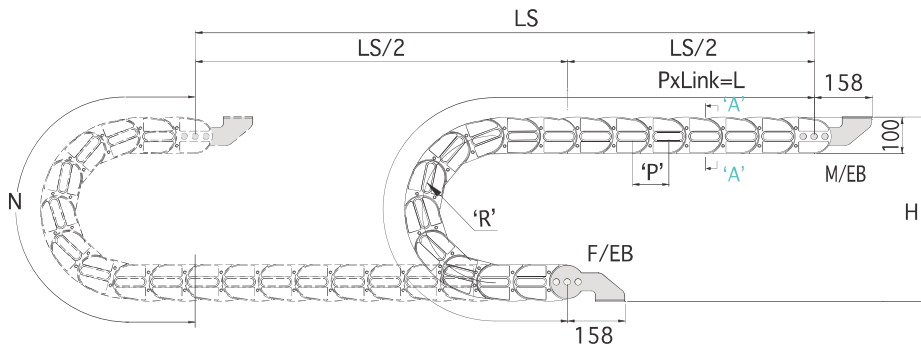
End Bracket

Fixed Bracket



Moving Bracket

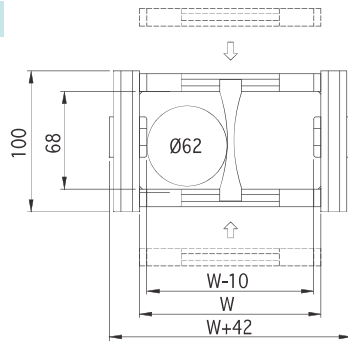




$$\left[L = \frac{LS}{2} + N \right]$$

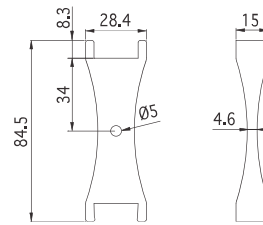
LS: Total Machine Travel, L: Length, N: Safety Length+πr,
 H: Height, P: Pitch, M/EB: Moving End Bracket, F/EB: Fixed End Bracket

Section A-A



Divider

* Separator : Ø5(Aluminum)



Specification

TYPE	W mm(inch)	Radius mm(inch)	Pitch mm	Height mm(inch)	N mm(inch)	DVDR (ea)	1M (kg)	EB Set (kg)
CDP100	100 (3.937)	200 (7.874)	100 (3.937)	506 (19.921)	1,028 (40.472)	1	4.103	
	150 (5.906)	250 (9.843)		606 (23.858)	1,185 (46.653)	2	4.451	
	200 (7.874)	300 (11.811)		706 (27.795)	1,342 (52.835)	2	4.651	
	250 (9.843)	350 (13.780)		806 (31.732)	1,499 (59.016)	3	4.903	3.043
	300 (11.811)	400 (15.748)		906 (35.669)	1,656 (65.197)	3	5.279	
	350 (13.780)	450 (17.717)		1,106 (43.543)	1,970 (77.559)	4	5.427	
	400 (15.748)	500 (19.685)				4	5.747	

* 1inch = 25.4mm