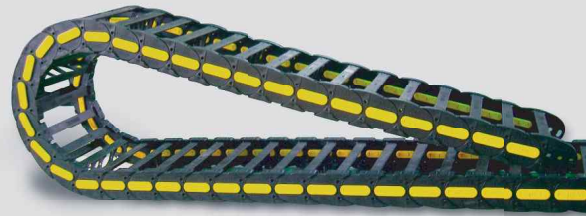


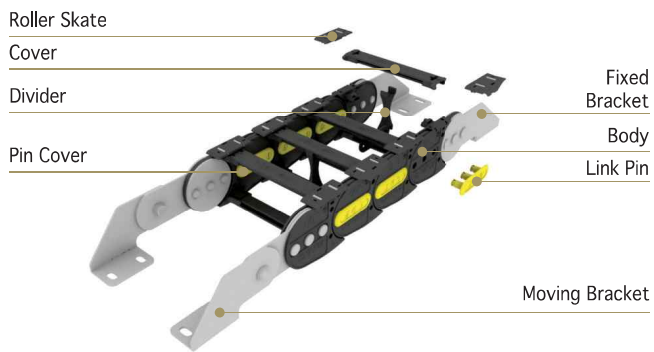
CDPR100

LONG DISTANCE PLASTIC COVER TYPE

- Material : Engineering Plastic with Glass Fiber + α
- Speed : 5 m/sec
- Temperature : -25 ~ 125°C

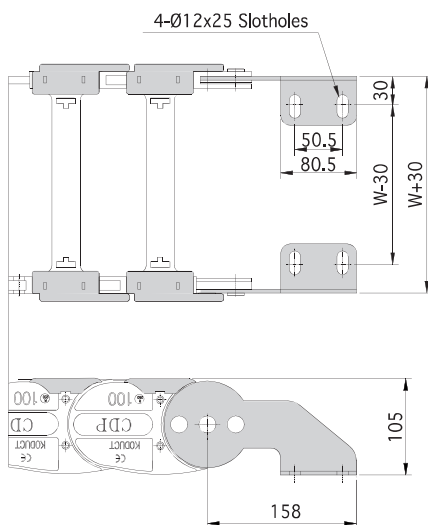


Structure

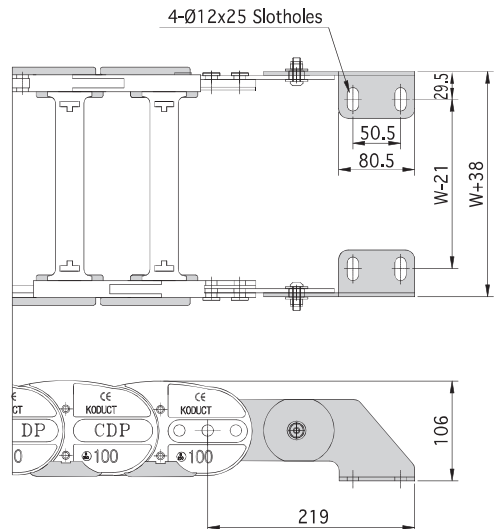


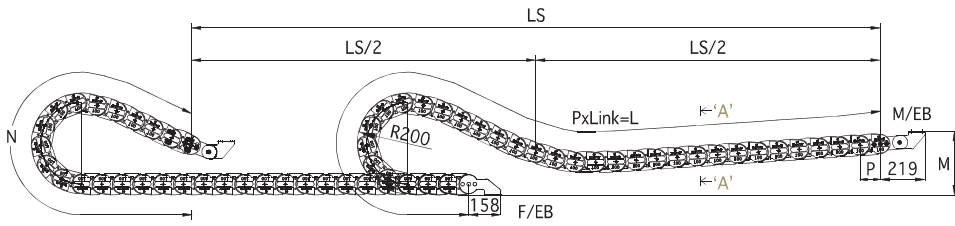
End Bracket

Fixed Bracket



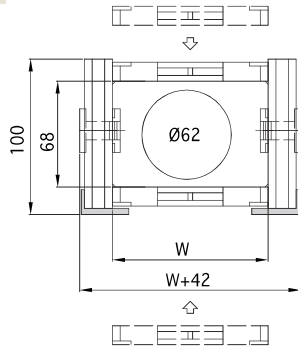
Moving Bracket





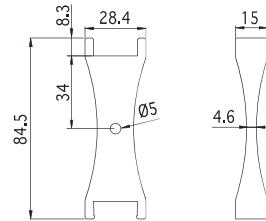
$$L = \frac{LS}{2} + N$$
 LS: Total Machine Travel, L: Length, N: Safety Length+πr,
 M: Moving Bracket Height, P: Pitch, M/EB: Moving End Bracket, F/EB: Fixed End Bracket

Section A-A



Divider

* Separator: Ø5(Aluminum)



Specification

| TYPE | W mm(inch) | Radius mm(inch) | Pitch mm(inch) | M mm(inch) | N mm(inch) | DVDR (ea) | 1M (kg) | EB Set (kg) |
|---------|---------------|--------------------|-------------------|---------------|----------------|--------------|------------|----------------|
| CDPR100 | 100 (3.937) | 200 (7.874) | 100 (3.937) | 300 (11.811) | 1,200 (47.244) | 1 | 4.588 | 3.633 |
| | 150 (5.906) | 250 (9.843) | | | 1,400 (55.118) | 2 | 4.936 | |
| | 200 (7.874) | 300 (11.811) | | | 1,500 (59.055) | 2 | 5.136 | |
| | 250 (9.843) | 350 (13.780) | | | 2,100 (82.677) | 3 | 5.388 | |
| | 300 (11.811) | 400 (15.748) | | | 2,500 (98.425) | 3 | 5.764 | |
| | 350 (13.780) | 400 (15.748) | | | 2,800 (110.24) | 4 | 5.912 | |
| | 400 (15.748) | 500 (19.69) | | | 2,800 (110.24) | 4 | 6.232 | |

* 1inch = 25.4mm