

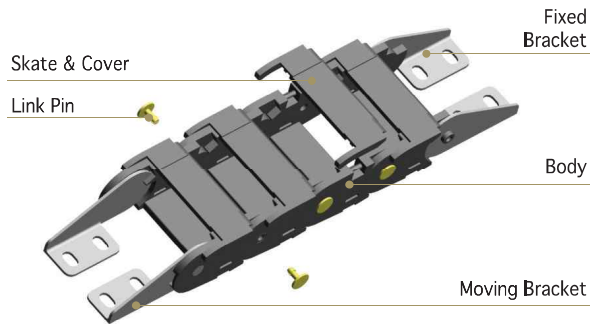
# CDPS050

LONG DISTANCE PLASTIC COVER TYPE

- Material : Engineering Plastic with Glass Fiber +  $\alpha$
- Speed : 3 m/sec
- Temperature : -25 ~ 125°C

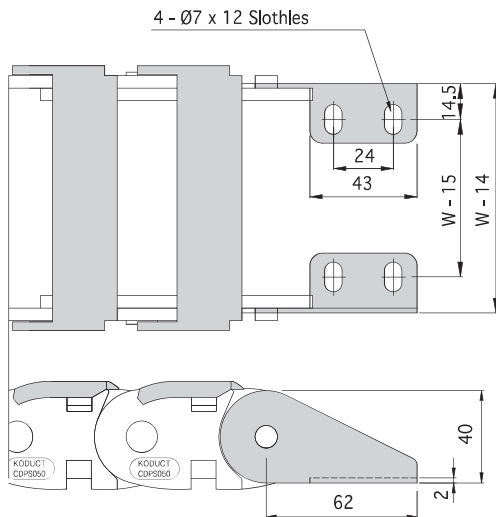


## Structure

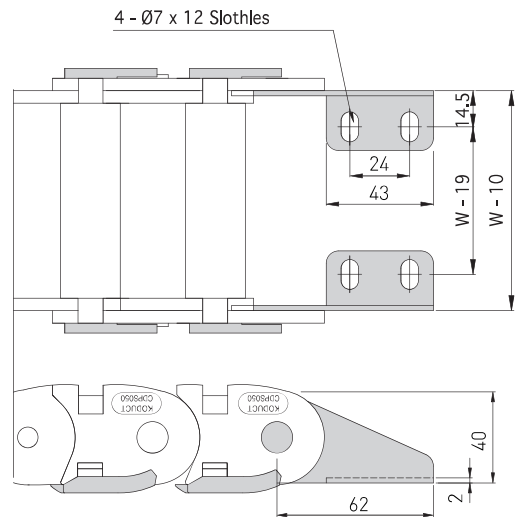


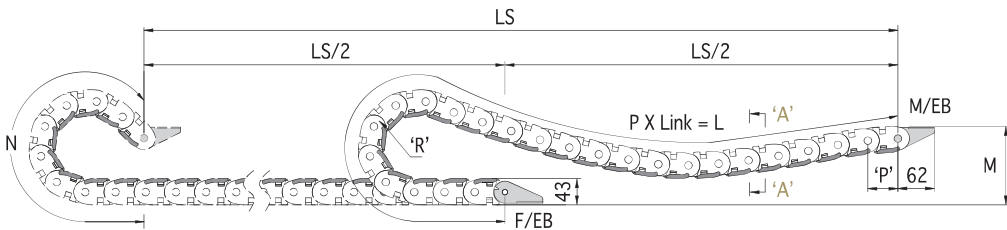
## End Bracket

### Fixed Bracket



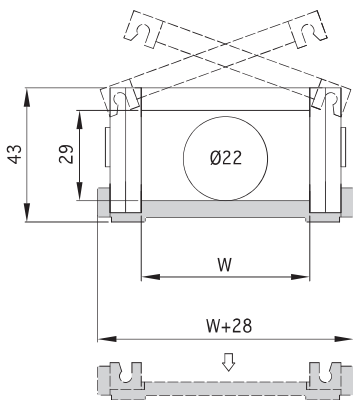
### Moving Bracket





$$L = \frac{LS}{2} + N$$
 LS: Total Machine Travel, L: Length, N: Safety Length+πr,  
 M: Moving Bracket Height, P: Pitch, M/EB: Moving End Bracket, F/EB: Fixed End Bracket

Section A-A



Specification

TYPE	W mm(inch)	Radius mm(inch)	Pitch mm(inch)	M mm(inch)	N mm(inch)	1M (kg)	EB Set (kg)
CDPS050	54 (2.126)	75 (2.953)	50 (1.969)	130 (5.118)	450 (17.717)	1.500	0.180
		100(3.937)			600 (23.622)		
	80 (3.150)	125(4.921)			650 (25.591)	1.720	
		150(5.906)			750 (29.528)		

\* Width 주문에 따라 제작가능 (Width follows in oder)

\* 1inch = 25.4mm