

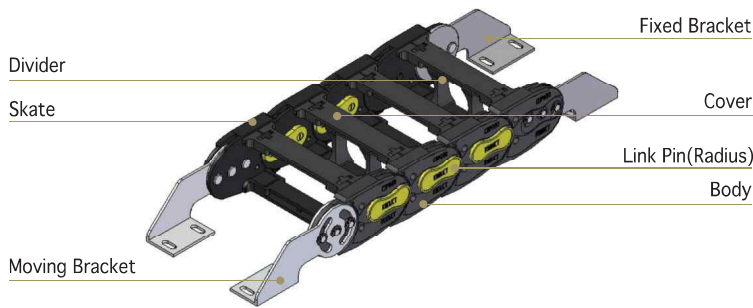
CDPS080

LONG DISTANCE PLASTIC COVER TYPE

- Material : Engineering Plastic with Glass Fiber + α
- Speed : 5 m/sec
- Temperature : -25 ~ 125°C

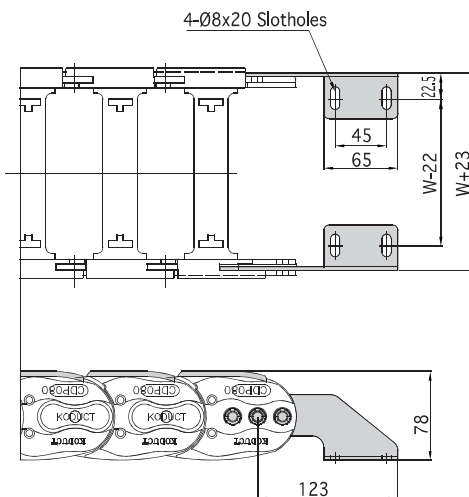


Structure

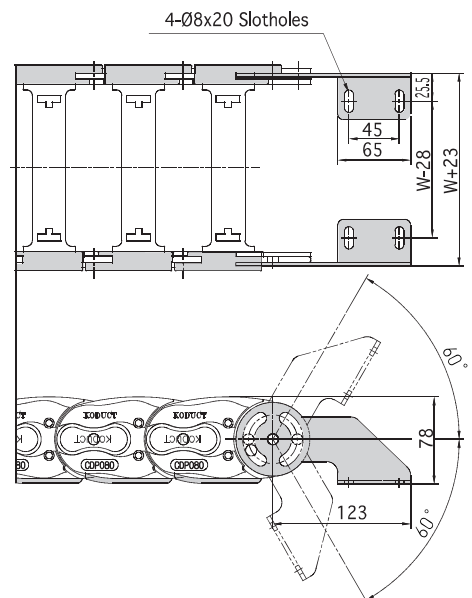


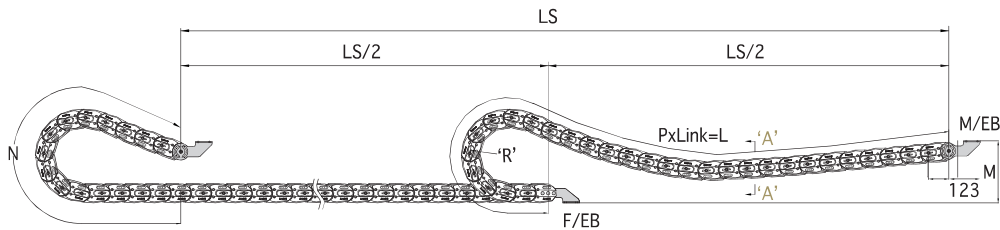
End Bracket

Fixed Bracket



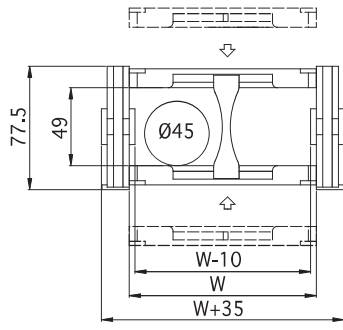
Moving Bracket



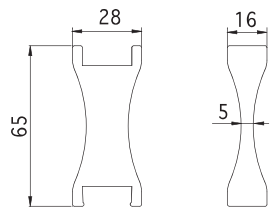


$L = \frac{LS}{2} + N$
 LS: Total Machine Travel, L: Length, N: Safety Length+ πr ,
 M: Moving Bracket Height, P: Pitch, M/EB: Moving End Bracket, F/EB: Fixed End Bracket

Section A-A



Divider



Specification

| TYPE | W mm(inch) | Radius mm(inch) | Pitch mm(inch) | M mm(inch) | N mm(inch) | DVDR (ea) | 1M (kg) | EB Set (kg) |
|---------|---------------|--------------------|-------------------|---------------|-----------------|--------------|------------|----------------|
| CDPS080 | 100 (3.937) | 150 (5.906) | 80 (3.150) | 250 (9.843) | 1,000 (39.370) | 1 | 3.368 | 1.435 |
| | 150 (5.906) | 200 (7.874) | | | 1,300 (51.181) | 2 | 3.785 | |
| | 200 (7.874) | 250 (9.843) | | | 1,600 (62.992) | 2 | 4.045 | |
| | 250 (9.843) | 280 (11.024) | | | 2,000 (78.740) | 3 | 4.337 | |
| | 300 (11.811) | 350 (13.780) | | | 3,000 (118.110) | 3 | 4.826 | |
| | 350 (13.780) | 400 (15.748) | | | | 4 | 4.983 | |
| | 400 (15.748) | | | | | 4 | 5.399 | |

* 1inch = 25.4mm