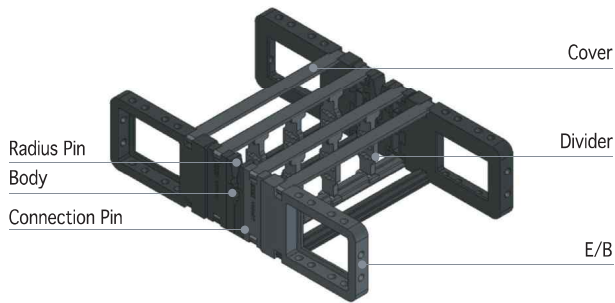


# KD40

CLEAN ROOM TYPE

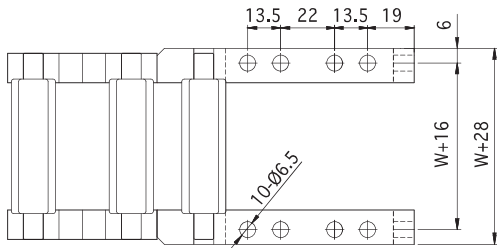


## Structure

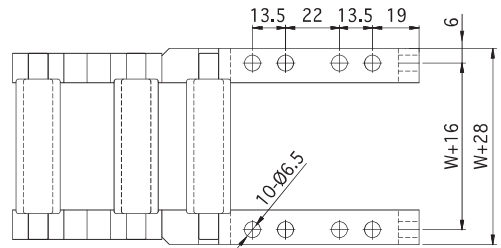


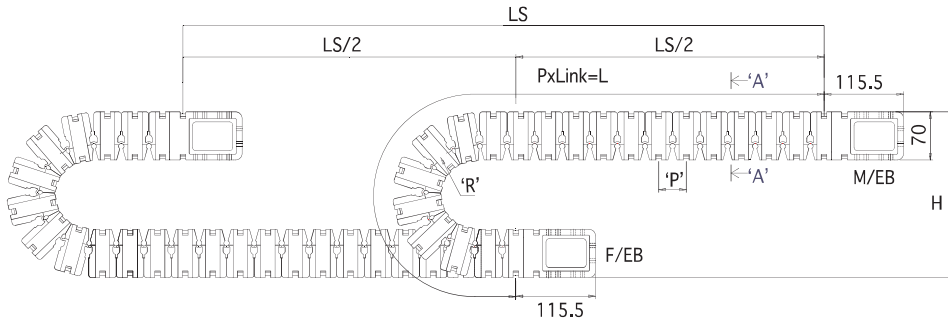
## End Bracket

### Fixed Bracket



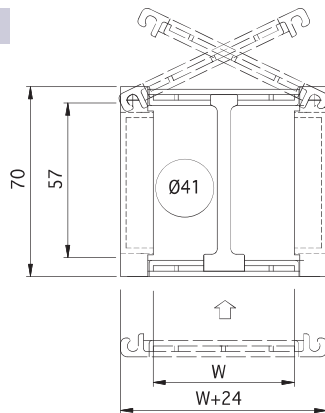
### Moving Bracket





$$L = \frac{LS}{2} + N$$
 LS: Total Machine Travel, L: Length, N: Safety Length+ $\pi r$ ,  
 H: Height, P: Pitch, M/EB: Moving End Bracket, F/EB: Fixed End Bracket

Section A-A



■ Specification

TYPE	W mm(inch)	Radius mm(inch)	Pitch mm(inch)	Height mm(inch)	1M (kg)	EB Set (kg)
KD40	36 (1.417)	75 (2.952)	40 (1.574)	241 (9.488)	2.248	0.232
	52 (2.047)	100 (3.937)		291 (11.456)	2.246	
	76 (2.992)	125 (4.921)		341 (13.425)	2.808	
	96 (3.780)	150 (5.905)		391 (15.393)	3.088	
	121 (4.764)	200 (7.874)		491 (19.330)	3.460	
	146 (5.748)	250 (9.842)		591 (23.267)	3.793	

\* 1inch = 25.4mm