

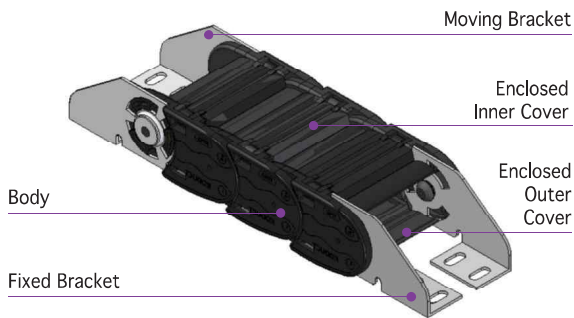
# KM50

ENCLOSED TYPE

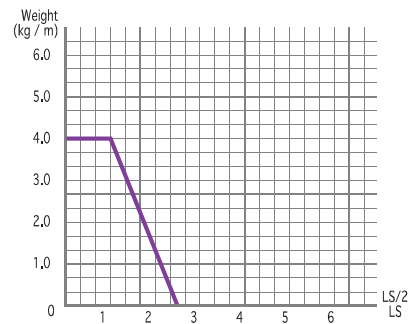
- Material : Engineering Plastic with Glass Fiber +  $\alpha$
- Speed : 3 m/sec
- Temperature : -25 ~ 125°C



## Structure

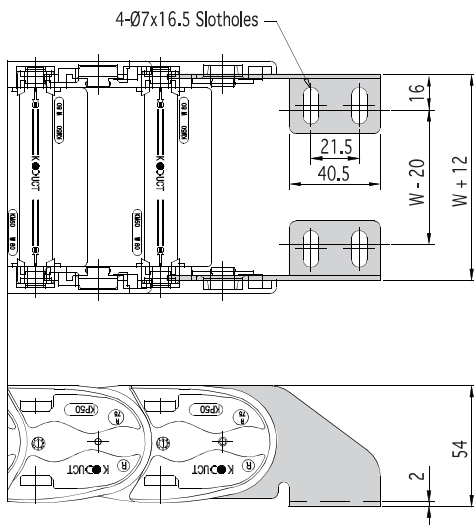


## Load Diagrams Self-Supporting Length

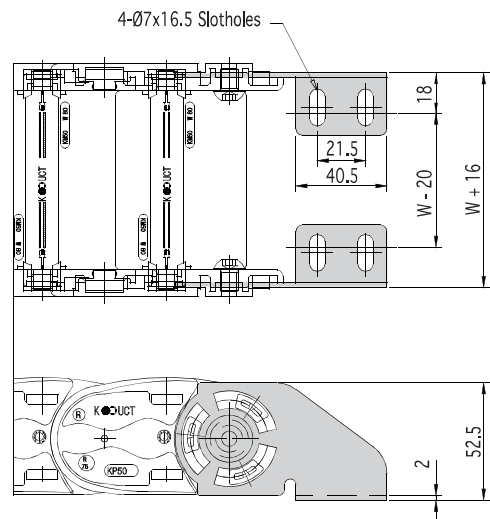


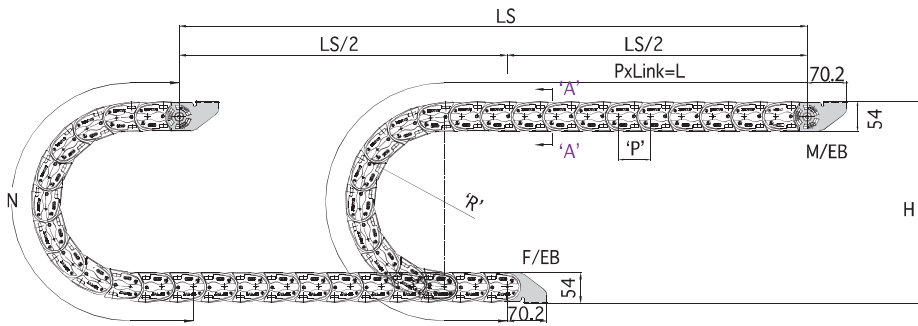
## End Bracket

### Fixed Bracket



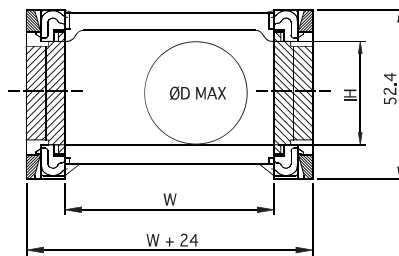
### Moving Bracket





$$\left[ L = \frac{LS}{2} + N \right] \begin{array}{l} \text{LS: Total Machine Travel, L: Length, N: Safety Length} + \pi r, \\ \text{H: Height, P: Pitch, M/EB: Moving End Bracket, F/EB: Fixed End Bracket} \end{array}$$

Section A-A



Specification

TYPE	W mm(inch)	Radius mm(inch)	Pitch mm(inch)	IH mm(inch)	ØD MAX	Height mm(inch)	N mm(inch)	1M (kg)	EB Set (kg)
	40 (1.574)	75 (2.952)		24 (0.945)	Ø12	205 (8.070)	435.5 (17.145)	2.862	
		100 (3.937)		28 (1.102)	Ø16	255 (10.039)	514.0 (20.236)		
KM50	65 (2.559)	125 (4.921)	55.5 (2.185)	29 (1.142)	Ø20	305 (12.007)	592.5 (23.326)	3.323	0.254
		150 (5.906)		30 (1.181)	Ø25	355 (13.976)	671.0 (26.417)		
	80 (3.149)	200 (7.874)		32 (1.260)	Ø28	455 (17.913)	828.0 (32.598)	3.550	

\* 1inch = 25.4mm