

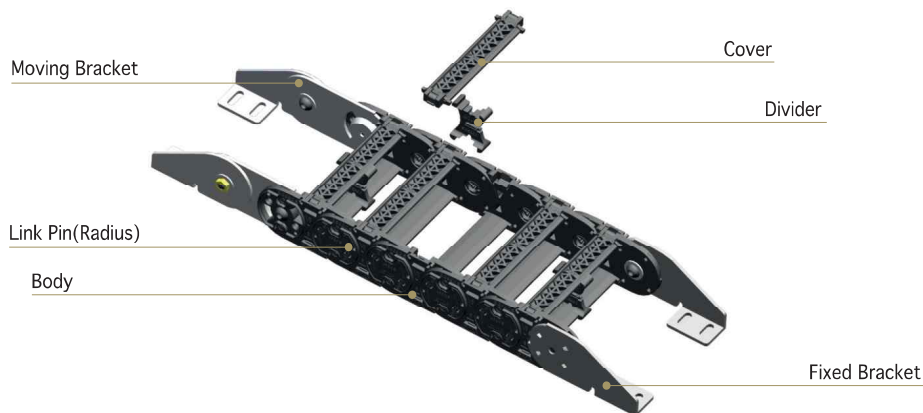
KSC588/S Koduct Smart Carrier

LONG DISTANCE PLASTIC COVER TYPE

- Material : Engineering Plastic with Glass Fiber + α
- Speed : 3 m/sec
- Temperature : -25 ~ 125°C

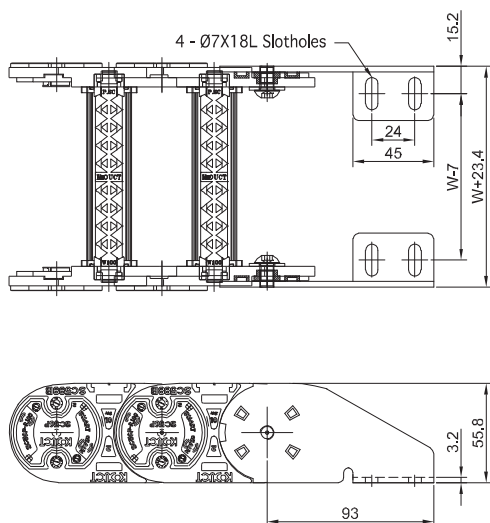


Structure

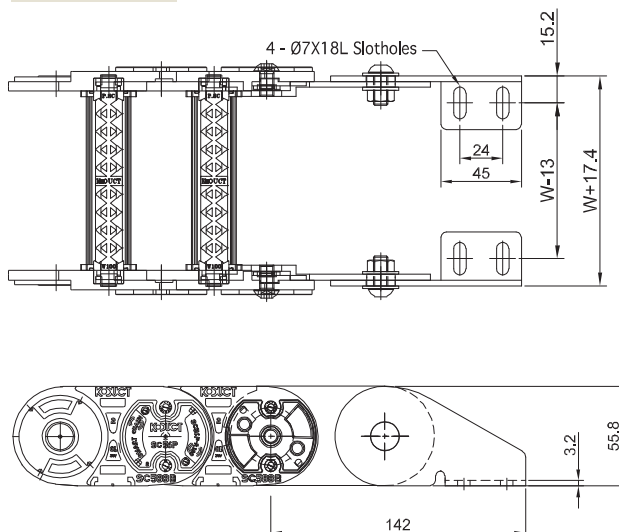


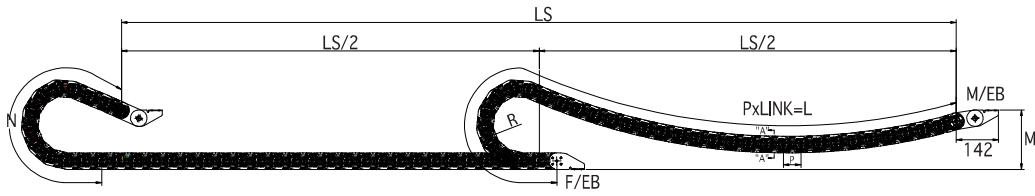
End Bracket

Fixed Bracket



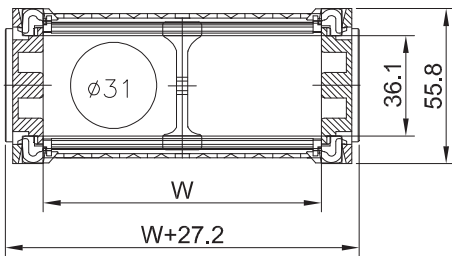
Moving Bracket





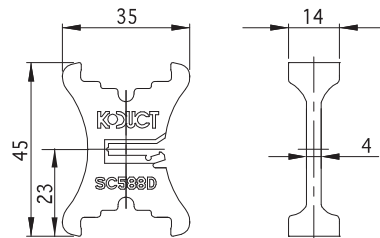
$$L = \frac{LS}{2} + N$$
 LS: Total Machine Travel, L: Length, N: Safety Length+πr,
 M: Moving Bracket Height, P: Pitch, M/EB: Moving End Bracket, F/EB: Fixed End Bracket

Section A-A



Divider

* Separator: 14.5x4.4(Plastic)



Specification

TYPE	W mm(inch)	Radius mm(inch)	Pitch mm(inch)	M mm(inch)	N mm(inch)	DVDR (ea)	1M (kg)	EB Set (kg)
KSC588/S	50 (1.97)	68 (2.68)	58.8 (2.315)	200 (7.874)	450 (17.72)	0	1.55	0.79
	65 (2.56)	80 (3.15)			490 (19.29)	0	1.59	
	80 (3.15)	100 (3.94)			550 (21.65)	1	1.63	
	100 (3.94)	125 (4.92)			630 (24.80)	1	1.81	
	120 (4.72)	150 (5.91)			710 (27.95)	2	1.86	
	160 (6.29)	200 (7.87)			804 (31.65)	2	2.05	
	200 (7.87)	200 (7.87)			804 (31.65)	2	2.27	

* Width 주문에 따라 제작가능 (Width follows in oder)

* 1inch = 25.4mm