

# KSC715/10(25)

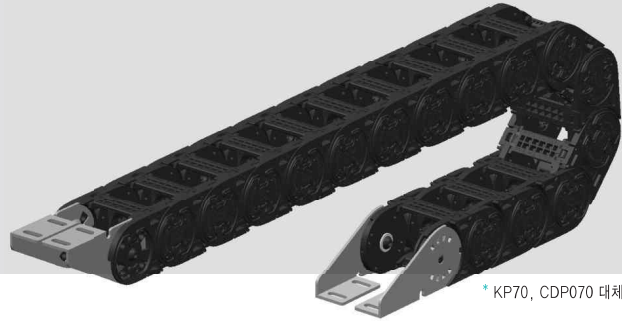
PLASTIC COVER TYPE

## Koduct Smart Carrier

\* KSC715/10 : 0~2m 미만 사용시 권장

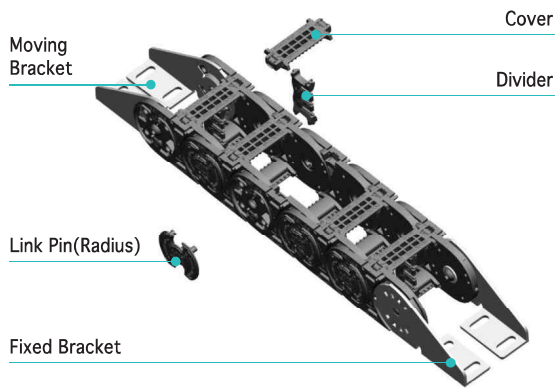
\* KSC715/20 : 2~4m 사용시 권장

- Material : Engineering Plastic with Glass Fiber +  $\alpha$
- Speed : 3 m/sec
- Temperature : -25 ~ 125°C

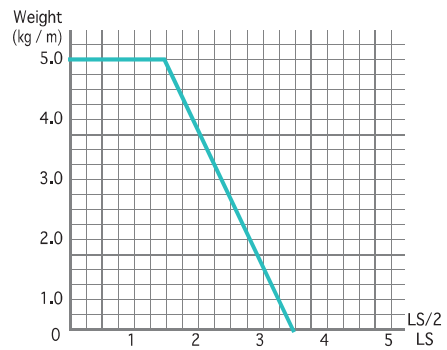


\* KP70, CDP070 대체사양

### Structure

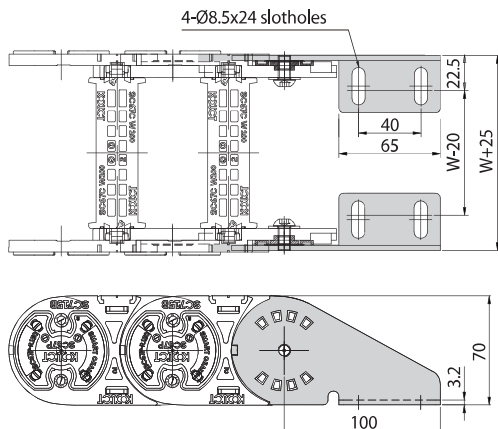


### Load Diagrams Self-Supporting Length

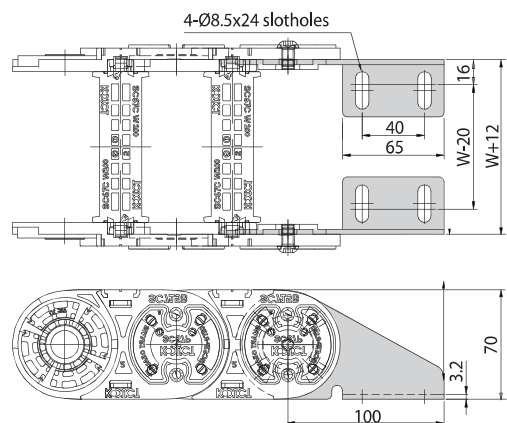


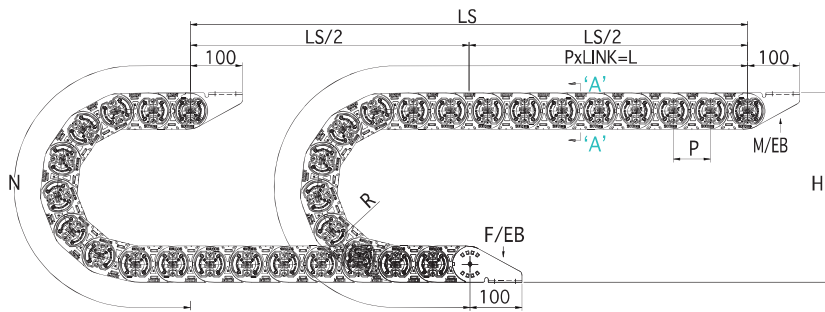
### End Bracket

#### Fixed Bracket



#### Moving Bracket

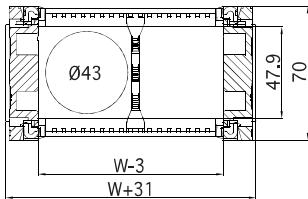




$$L = \frac{LS}{2} + N$$

LS: Total Machine Travel, L: Length, N: Safety length+πr,  
 H: Height, P: Pitch, M/EB: Moving End Bracket, F/EB: Fixed End Bracket

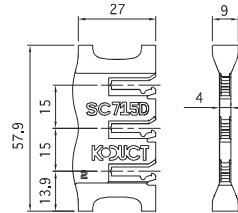
Section A-A



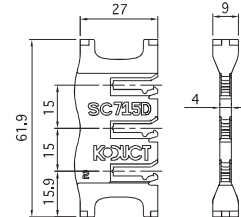
Divider

\* Separator :14.5x4.4(Plastic)

1) Moving Type



2) Fixed Type



Specification

TYPE	W mm(inch)	Radius mm(inch)	Pitch mm	Height mm(inch)	N mm(inch)	DVDR (ea)	1M (kg)	EB Set (kg)
KSC715/ 10925)	65 (2.559)	80 (3.150)	71.5 (2.815)	230 (9.055)	537 (21.142)	0	2.55	
	80 (3.150)			270 (10.630)	600 (23.622)	1	2.63	
	100 (3.937)	100 (3.937)				1	2.72	
	125 (4.921)	125 (4.921)				2	2.80	
	150 (5.906)	150 (5.906)				2	2.88	0.75
	175 (6.890)	175 (6.890)				2	2.97	
	200 (7.874)	200 (7.874)				2	3.05	
	225 (8.858)	225 (8.858)				3	3.14	
250 (9.843)	250 (9.843)			3	3.22			

\* 1inch = 25.4mm