

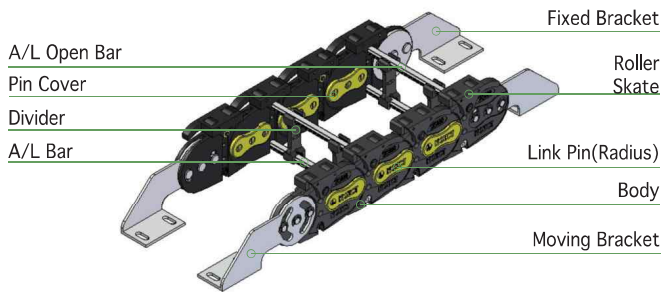
WS080

LONG DISTANCE ALUMINUM BAR TYPE

- Material : Engineering Plastic with Glass Fiber + α ,
Aluminum Bar
- Speed : 5 m/sec
- Temperature : -25 ~ 125°C

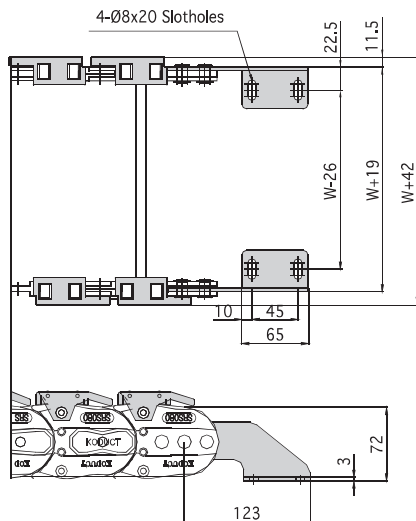


Structure

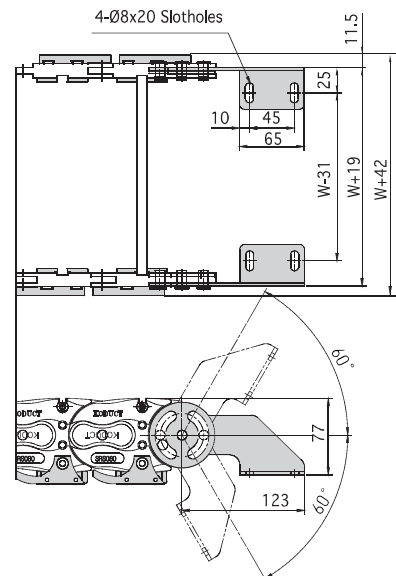


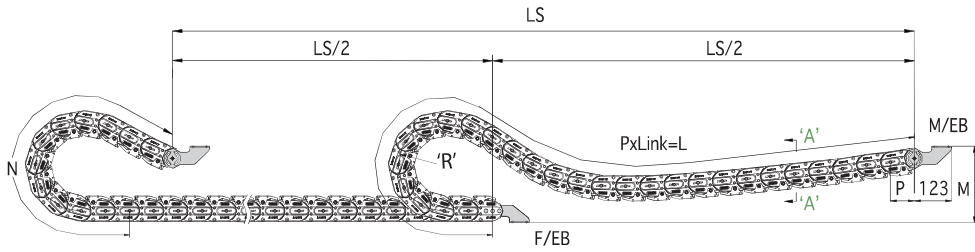
End Bracket

Fixed Bracket



Moving Bracket



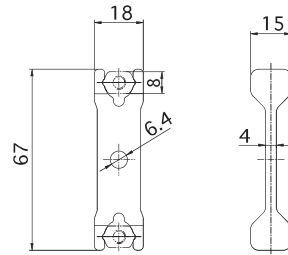
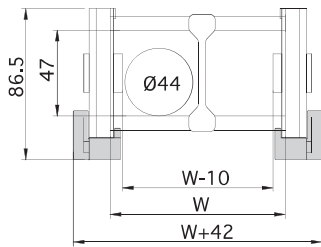


$$\left[L = \frac{LS}{2} + N \right]$$
 LS: Total Machine Travel, L: Length, N: Safety Length+ πr , M: Moving Bracket Height,
 P: Pitch, F/MB: Fixed End Bracket, M/EB: Moving End Bracket

Section A-A

Divider

* Separator: $\varnothing 6$ (Aluminum)



Specification

TYPE	W mm(inch)	Radius mm(inch)	Pitch mm(inch)	M mm(inch)	N mm(inch)	DVDR (ea)	1M (kg)	EB Set (kg)
WS080	80 (3.149)	150 (5.906)	80 (3.150)	250 (9.843)	1,000 (39.370)	1	3.520	1.310
	100 (3.937)	200 (7.874)			1,300 (51.181)	1	3.578	
	150 (5.906)				2	3.769		
	200 (7.874)	250 (9.843)			1,600 (62.992)	2	3.915	
	250 (9.843)				3	4.107		
	300 (11.811)	280 (11.024)			2,000 (78.740)	3	4.258	
	350 (13.780)				4	4.452		
	400 (15.748)	400 (15.748)			3,000 (118.110)	4	5.519	

* Width 주문에 따라 제작가능 (Width follows in oder)

* 1inch = 25.4mm