

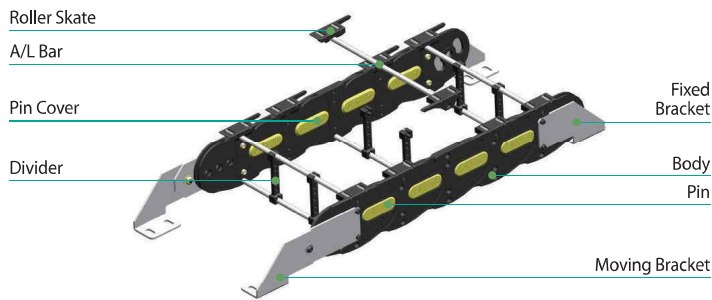
WS150

LONG DISTANCE ALUMINUM BAR TYPE

- Material : Engineering Plastic with Glass Fiber + α ,
Aluminum Bar
- Speed : 5 m/sec
- Temperature : -25 ~ 125°C

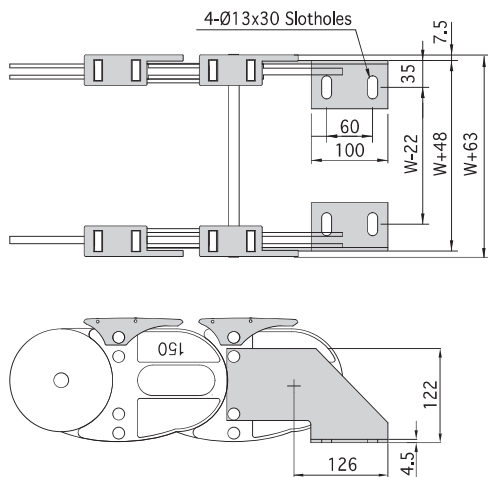


Structure

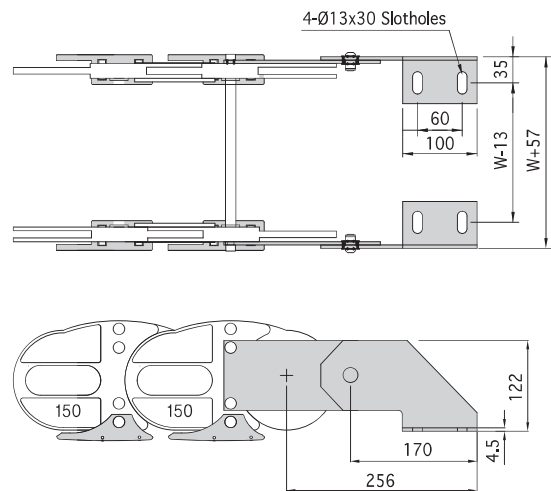


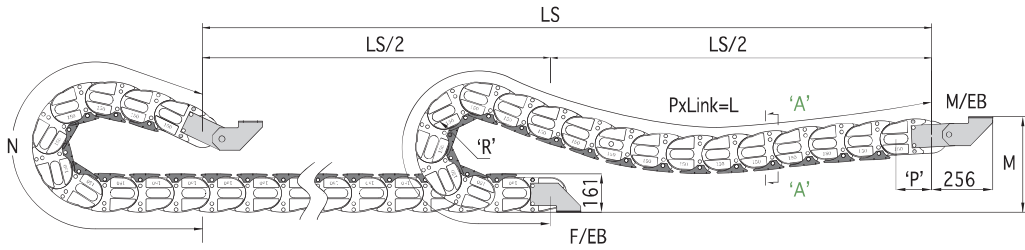
End Bracket

Fixed Bracket



Moving Bracket



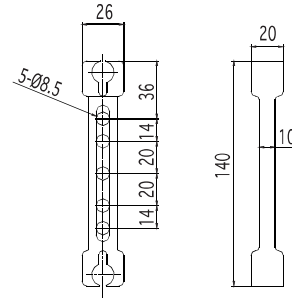
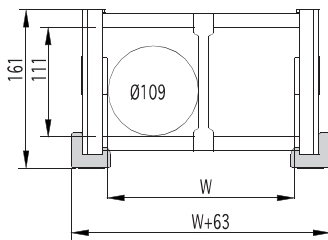


$L = \frac{LS}{2} + N$ LS: Total Machine Travel, L: Length, N: Safety length+ πr , M: Moving Bracket Height,
P: Pitch, F/MB: Fixed End Bracket, M/EB: Moving End Bracket

Section A-A

Divider

* Separator : $\varnothing 8$ (Aluminum)



Specification

TYPE	W mm(inch)	Radius mm(inch)	Pitch mm(inch)	M mm(inch)	N mm(inch)	DVDR (ea)	1M (kg)	EB Set (kg)
WS150	100 (3.937)	200 (7.874)	150 (5.906)	400 (15.748)	2,000 (78.74)	1	8.292	4.376
	200 (7.874)				2	8.838		
	250 (9.843)				3	9.043		
	300 (11.811)	300 (11.811)			3,300 (129.921)	3	9.367	
	400 (15.748)				4	9.880		
	450 (17.716)				4,200 (165.354)	4	10.908	
	500 (19.685)	500 (19.685)			4,800 (188.976)	4	11.097	
	600 (23.622)				5,500 (216.535)	4	11.700	
	700 (27.559)				5,500 (216.535)	4	12.274	
800 (31.496)	600 (23.622)	5,500 (216.535)	4	12.851				

* Width 주문에 따라 제작가능 (Width follows in oder)

* 1inch = 25.4mm