

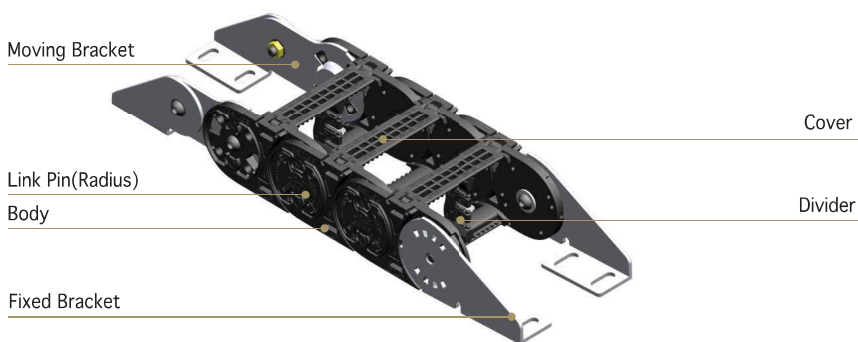
KSC715/S Koduct Smart Carrier

LONG DISTANCE PLASTIC COVER TYPE

- Material : Engineering Plastic with Glass Fiber + α
- Speed : 3 m/sec
- Temperature : -25 ~ 125°C

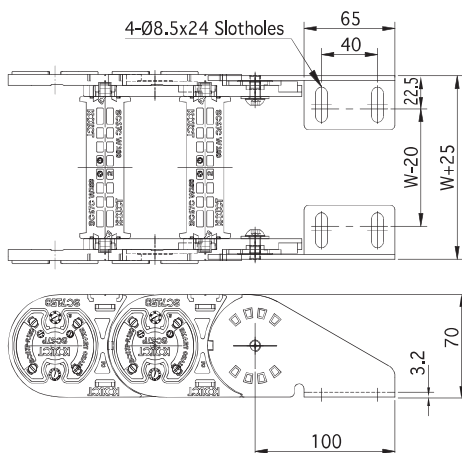


Structure

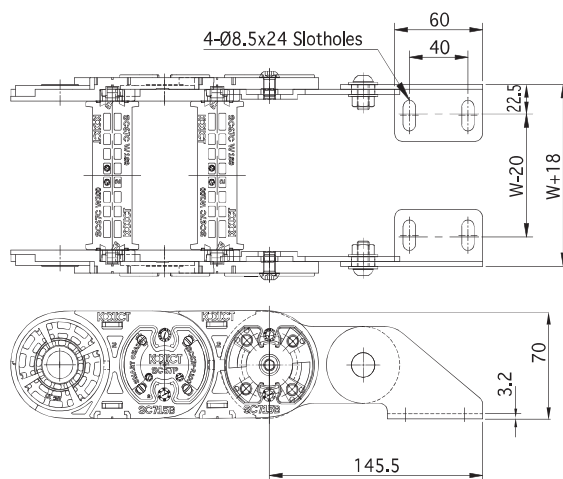


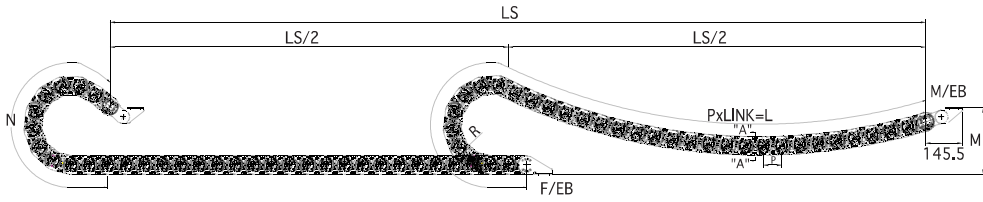
End Bracket

Fixed Bracket



Moving Bracket

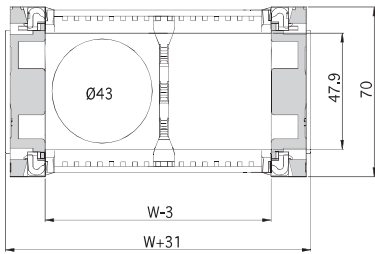




$$L = \frac{LS}{2} + N$$

LS: Total Machine Travel, L: Length, N: Safety Length+πr,
 M: Moving Bracket Height, P: Pitch, M/EB: Moving End Bracket, F/EB: Fixed End Bracket

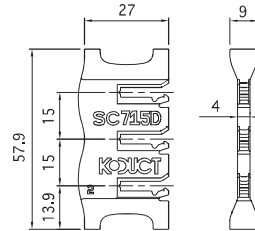
Section A-A



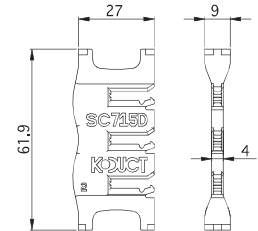
Divider

* Separator: 14.5x4.4(Plastic)

1) Moving Type



2) Fixed Type



Specification

TYPE	W mm(inch)	Radius mm(inch)	Pitch mm(inch)	M mm(inch)	N mm(inch)	DVDR (ea)	1M (kg)	EB Set (kg)
KSC715/S	65 (2.56)	60 (3.15)	71.5 (2.814)	250 (9.84)	537 (21.14)	0	2.38	0.92
	80 (3.15)	100 (3.94)			600 (23.64)	1	2.47	
	100 (3.94)	125 (4.92)			679 (26.73)	1	2.72	
	125 (4.92)	150 (5.91)			757 (29.80)	2	2.80	
	150 (5.91)	175 (6.89)			914 (35.98)	2	2.88	
	175 (6.89)	200 (7.87)			1,071 (42.17)	2	2.97	
	200 (7.87)	225 (8.86)				2	3.05	
	225 (8.86)	250 (9.84)				3	3.14	
	250 (9.84)					3	3.22	

* 1inch = 25.4mm