

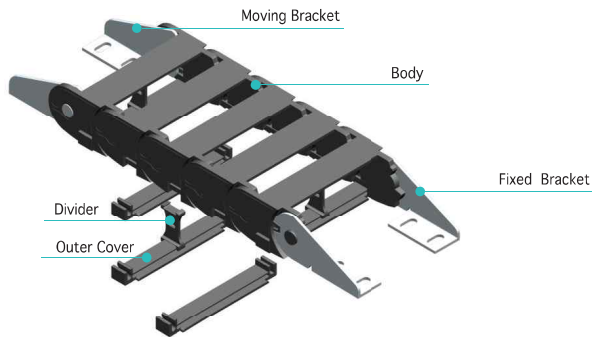
# KP40

PLASTIC COVER TYPE

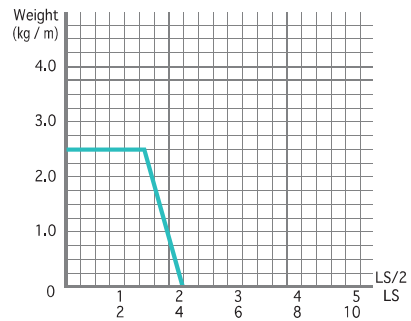
- Material : Engineering Plastic with Glass Fiber +  $\alpha$
- Speed : 3 m/sec
- Temperature : -25 ~ 125°C



## Structure



## Load Diagrams Self-Supporting Length



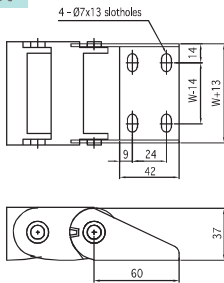
## End Bracket

**Type1** : 일체형 / Combination  
W40, W57만 가능 (Only for W40, W57)

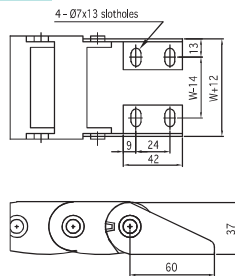
**Type2**

**Type3** : 플라스틱 / Plastic

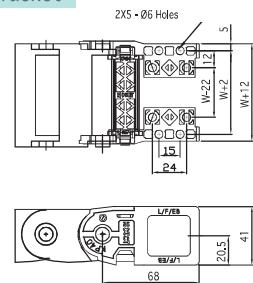
### Fixed Bracket



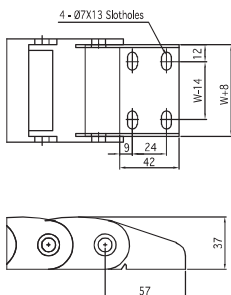
### Fixed Bracket



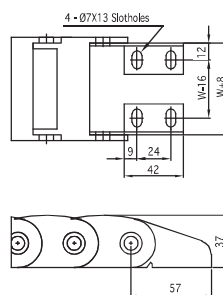
### Fixed Bracket



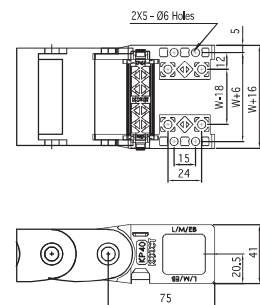
### Moving Bracket

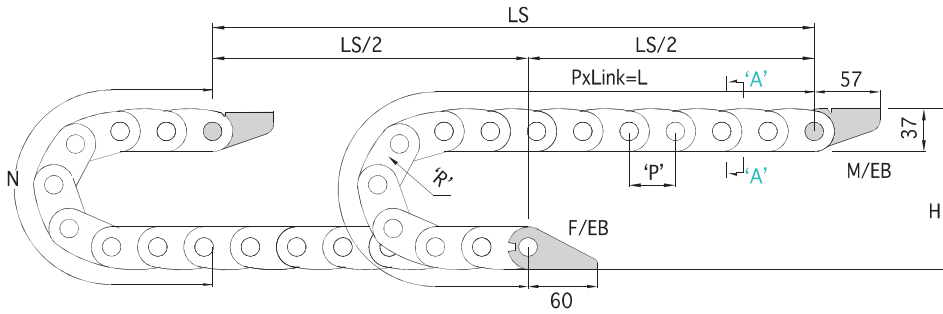


### Moving Bracket



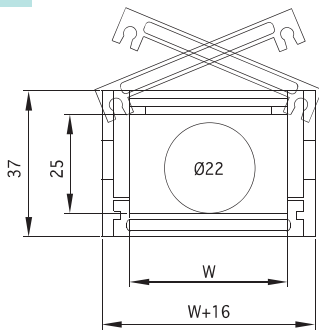
### Moving Bracket



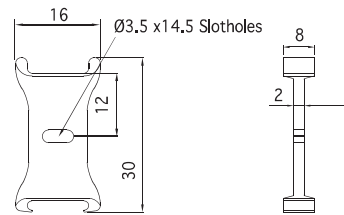


$$\left[ L = \frac{LS}{2} + N \right] \begin{array}{l} LS: \text{Total Machine Travel, L: Length, N: Safety length} + \pi r, \\ H: \text{Height, P: Pitch, M/EB: Moving End Bracket, F/EB: Fixed End Bracket} \end{array}$$

Section A-A



Divider



Specification

TYPE	W mm(inch)	Radius mm(inch)	Pitch mm(inch)	Height mm(inch)	N mm(inch)	DVDR (ea)	1M (kg)	EB Set (kg)
KP40	40 (1.575)	50 (1,969)	40 (1.575)	139 (5,472)	317 (12,480)	0	0.735	0.170 (Type1)
	57 (2.244)	75 (2,953)		189 (7,441)	396 (15,591)	0	0.795	0.190 (Type1)
		100 (3,937)		239 (9,409)	474 (18,661)	1	0.930	0.155 (Type2)
	80 (3.150)	125 (4,921)		339 (13,346)	631 (24,842)	1	0.985	0.098 (Type3)
		150 (5,906)		439 (17,283)	788 (31,024)			
100 (3,937)	200 (7,874)							

\* R90, R180, R220 주문 제작 가능

\* 1inch = 25.4mm