

# Crane Switch Station

Designed to reliably switch low current at extra low voltages in the harshest of environments...



BSH-ES0222 shown

## FEATURES & BENEFITS

- Merz Gold plated contact switching technology
- 316 Stainless steel Construction (Powder coated X15 orange)
- 2 escutcheon plate versions - ON/OFF or POS1/POS2
- IP66 Construction
- Closed cell Neoprene gasket (field replaceable if ever required)
- 2 x 20mm threaded conduit entries (one entry supplied with threaded plastic plug)
- Label mount for easy Identification
- Universal mounting
- Captive lid screws

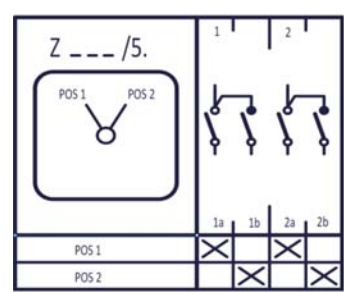


**BSH-ES0200**



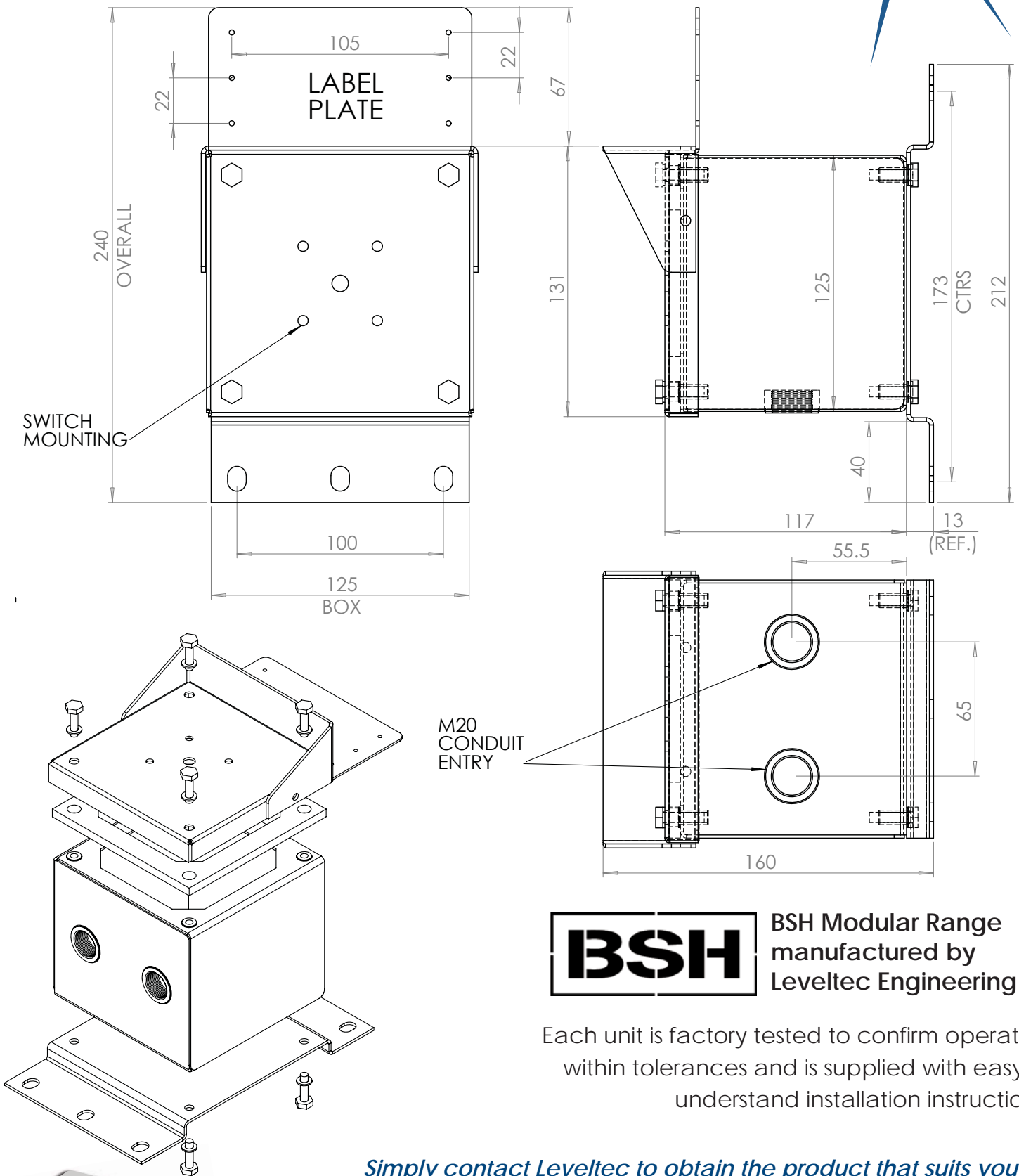
**BSH-ES0222**

## SWITCH SPECIFICATIONS



Rated Interrupted current I <sub>th</sub>	32 A
Rated operational current I <sub>e</sub>	25 A
Making/Breaking capacity AC23B 400V	11 kW
Making/Breaking capacity AC3 400V	7,5 kW
Isolation characteristics up to (approx)	500 V
Single Phase motor 230 V	3 kW
Single Phase motor 400 V	4 kW
<b>Gold plated contacts for dry circuit switching</b>	

## DIMENSIONS



**BSH** BSH Modular Range  
manufactured by  
Leveltec Engineering

Each unit is factory tested to confirm operation within tolerances and is supplied with easy to understand installation instructions.

*Simply contact Leveltec to obtain the product that suits you...!!*

Note: all information is subject to change & images are for illustration purposes only.

Leveltec Engineering Pty Ltd

Gloucester P: +61 2 6558 2986 F: +61 2 6558 1002  
Sydney P: +61 2 9299 5630 F: +61 2 6558 1002

