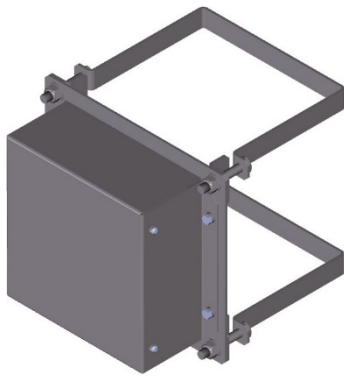


SLACK ROPE DETECTION SWITCH (VTS)



VTS - VERTICAL TILT SWITCH (VTS)



RELIABLE. ECONOMICAL. ROBUST.

Safety and technology advancements are always changing the landscape of mining, making it crucial to be adaptable as a supplier. We encountered a need to further develop our Australian designed and manufactured tilt switches and resulted in the launch of the VTS tilt switch for slack rope detection.

FEATURES & BENEFITS

- 316 Stainless steel construction prolonging wear in harsh mining environments
- Fully encapsulated preventing access to factory settings and maximum ingress protection
- Multiple Positive Break contacts for redundancy
- Stainless steel flexible conduit for cable protection 2m
- Fast switching in the event of tilt or hysteresis in ropes or plant.
- Dampened actuator in normal operation to reduce nuance tripping



APPLICATIONS:

Winders, Shaft Sinking Machines

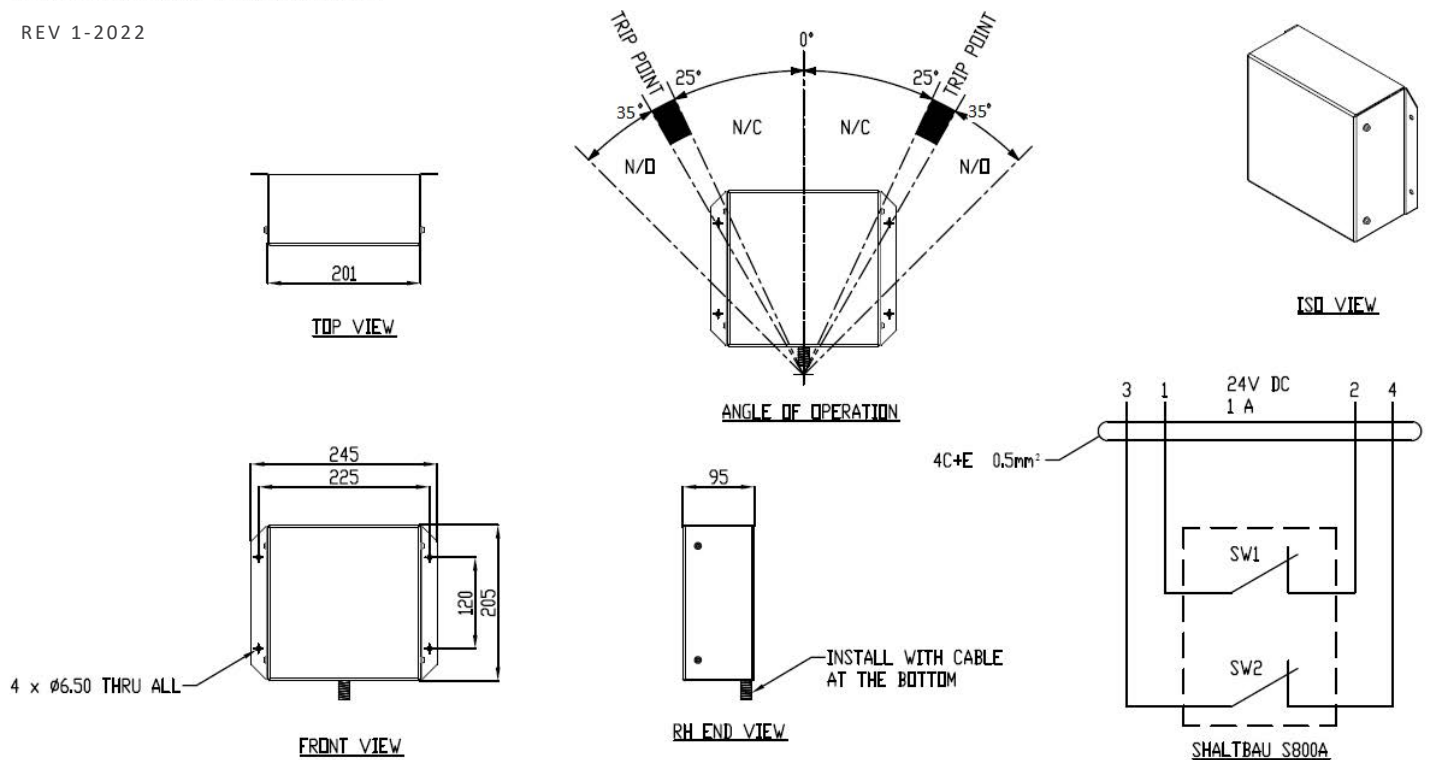
See over page for ordering information.

VTS - VERTICAL TILT SWITCH

TECHNICAL DATA

NOTE: STORE AND SHIP IN VERTICAL STATE.

REV 1-2022



ORDER DETAILS

MODEL:

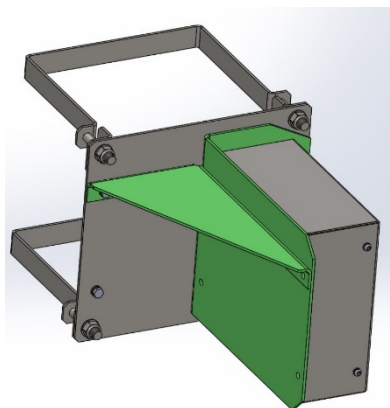
Leveltec

Slack Rope Detection
Switch (VTS)

VTS2-2/4

Part No.

LEV-VTS0010



*NB. Mounting Bracket
sold separately built for
your application.*

LEVELTEC ENGINEERING PTY. LTD.

Gloucester T +61 2 6558 9264 | Sydney T +61 2 9299 5630 | New Zealand T +64 4 896 6285

E sales@leveltec.com.au W www.leveltec.com.au