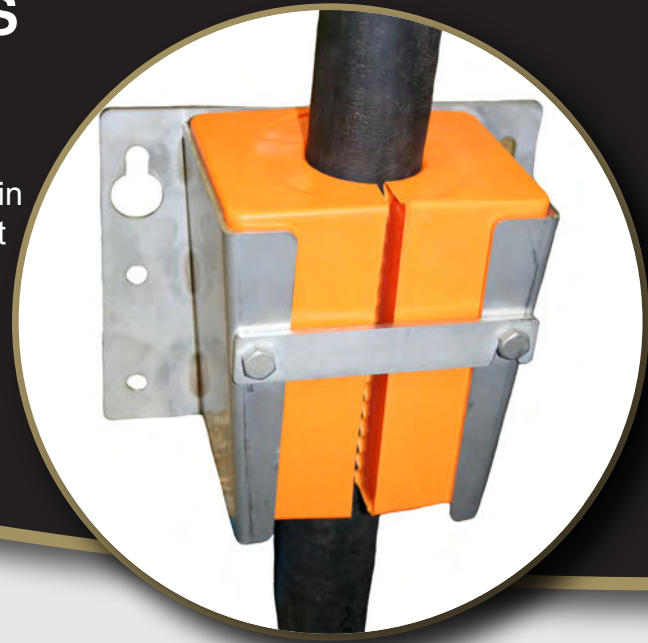


PATTON & COOKE ACCESSORIES

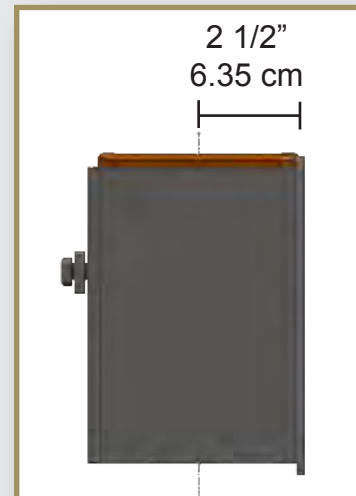
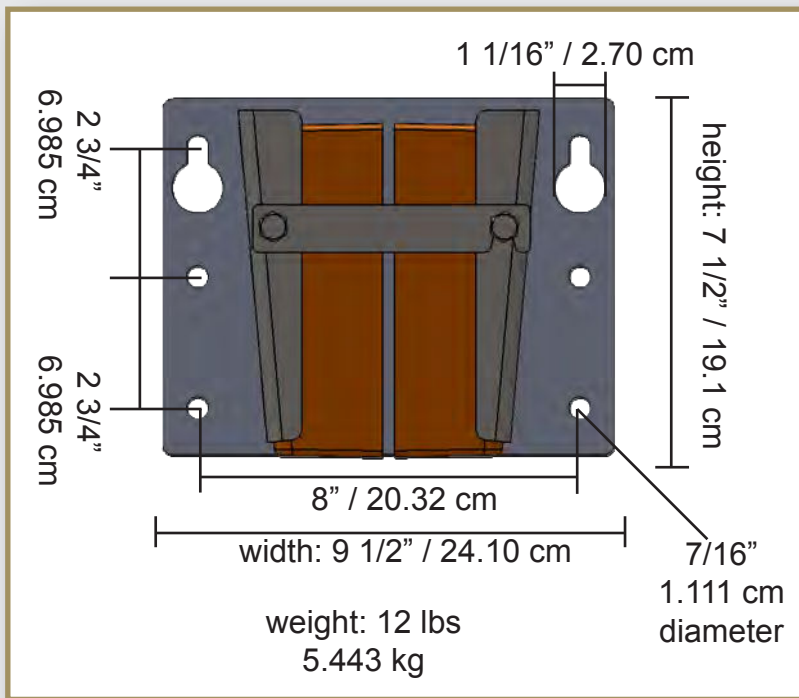
V-CLAMP

Patton & Cooke is proud to introduce the new V-Clamp. Used in shaft sinking, the V-Clamp will secure the cable to the shaft wall. As more weight is added, clamping force and compression is applied on the cable jacket.



BENEFITS/FEATURES

- Urethane clamps won't damage cable cores or jacket
- Urethane clamp blocks - with flame retardant additive
- Keyhole eases installation
- Latch aids in cable installation while maintaining frame integrity
- Urethane blocks available in 1/4" increments to ensure a correct fit to your cable
- Stainless steel frame
- Available in sizes to accommodate 2 1/4" through 3 1/2" O.D. cables
- Standard proof loading to 800lbs*, test performed using SHD-GC cable with CPE jacket material*



Assembly Part #	Cable Range
PCV12W-H	2.251 - 2.500" DIA
PCV12W-J	2.501 - 2.750" DIA
PCV12W-K	2.751 - 3.000" DIA
PCV12W-L	3.001 - 3.250" DIA
PCV12W-M	3.251 - 3.500" DIA

*Increased alternate ratings are available upon request

*For other cable types, contact factory for recommendation



#100 - 7795 128th Street
 Surrey, BC • V3W 4E6 • Canada
 Email: contact@pattonandcooke.com
 Web: pattonandcooke.com